



AQULIGHT®

Light up the ocean colorfully
with LED digital lighting.



Product photos in this catalogue may differ from the actual products or colours.
Specifications might be changed without prior notice for product improvement.
The contents of this catalogue are current as of October 2012.

SYSTEM WORKS
SYSTEM WORKS Co.,Ltd

TEL +81-92-713-0317 FAX +81-92-711-0980
URL : <http://system-w.jp> E-MAIL : info@system-w.jp



Deep Sea Light – excellent colour-rendering properties and withstands water pressure up to 300 metres.



400W type

Features

Multi-coloured LED lighting for under the ocean.

AQUILIGHT: multi-coloured LED to be used under the ocean. Combination of stainless steel and alloy steel. Structure withstands pressure up to 300 metres underwater. 400 and 200 watt high-powered lights. Can be used for any underwater usage. ※300M option

Lighting for a wide-range of purposes.

Each light controlled individually, providing varied lighting patterns and atmospheric lighting. Ideal for wide range of locations, including: resorts, fountains, amusement lighting shows etc.

RGB + white creates beautiful pastel shades

Adding white to RGB (red, green, blue) creates distinctive range of colors from vivid colors to pale pastel shades.

Use as a fish-luring light

By controlling light wavelength, can be used as fish-luring light.

High-quality product made in Japan.

Strict production and quality control. Designed and produced in Japan. One year warranty. Replacement parts available.

Lighting image

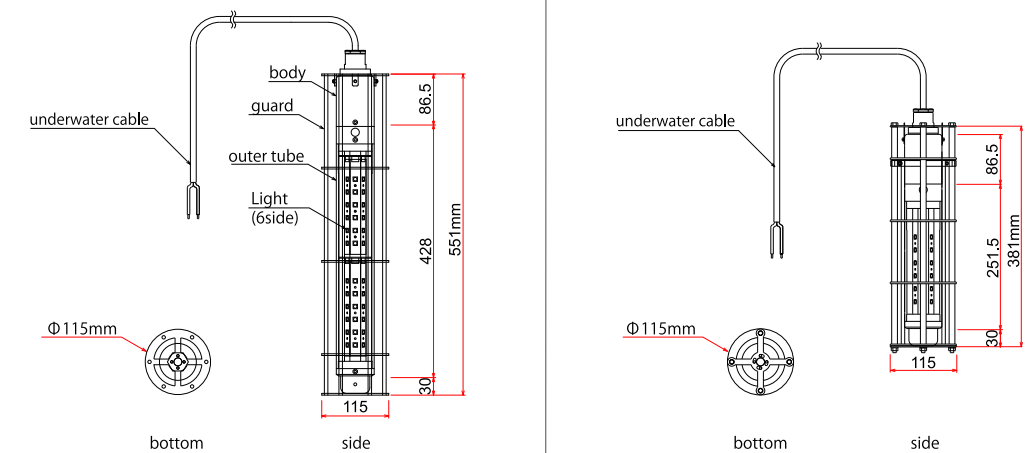


Individually controlled light able to create feathery effect

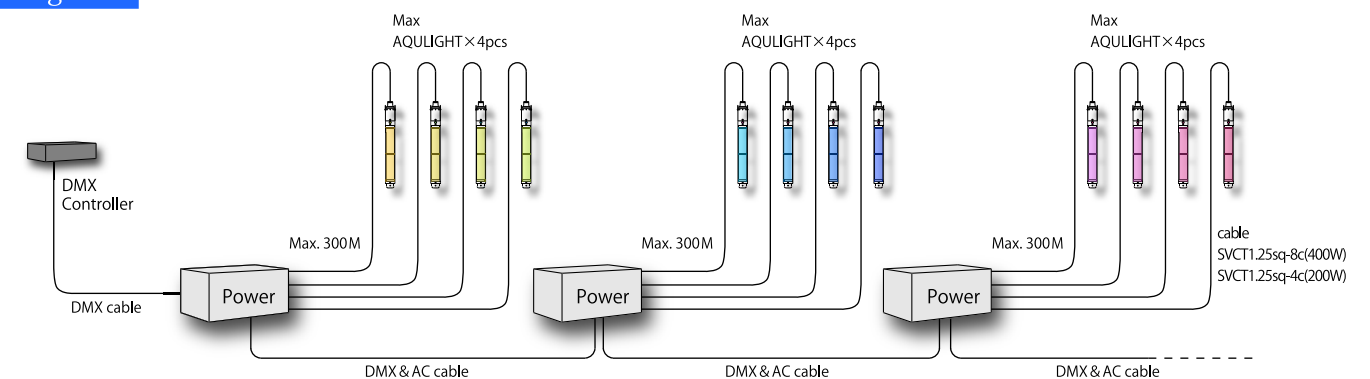
Spec

| | ☆Long type 400W | ☆Short type 200W |
|-----------------------|---|--------------------------------------|
| Model No. | AQ-400F | AQ-200F |
| Input Voltage | AC85V ~ 245V | ← |
| Power Consumption | 400W | 200W |
| Number of LED | 72pcs | 36pcs |
| Control | DMX512 (4ch or 24ch) | ← |
| Dimension /Weight | L=551mm × Φ65mm (gardΦ115mm) / 5.0Kg | L=381mm × Φ65mm (gardΦ115mm) / 3.5Kg |
| Material | body : stainless steel, alloy steel | ← |
| | cover : acrylic resin | ← |
| Operating environment | Under water only | ← |
| Power | optional (in a waterproof box custom) | ← |
| Anti-water pressure | approximately 2.0MPa / 200M <small>※option 300M</small> | ← |

Drawing



Diagram



Other items

Power/ Controller
 Customized power device available.
 Operating program setting up also available.



Input : 85V-245V
 Output: 2400W
 Control: DMX512
 Case : Waterproof box with wheels
※ Sample of customized case (connected with controller)